



UNION PANAMERICANA DE JUDO

FEDERACION DOMINICANA DE JUDO

Campeonato Panamericano de Judo Juvenil & Junior 2007

Santo Domingo, Rep. Dom.

~ [10/4/2007] _ [14/4/2007]

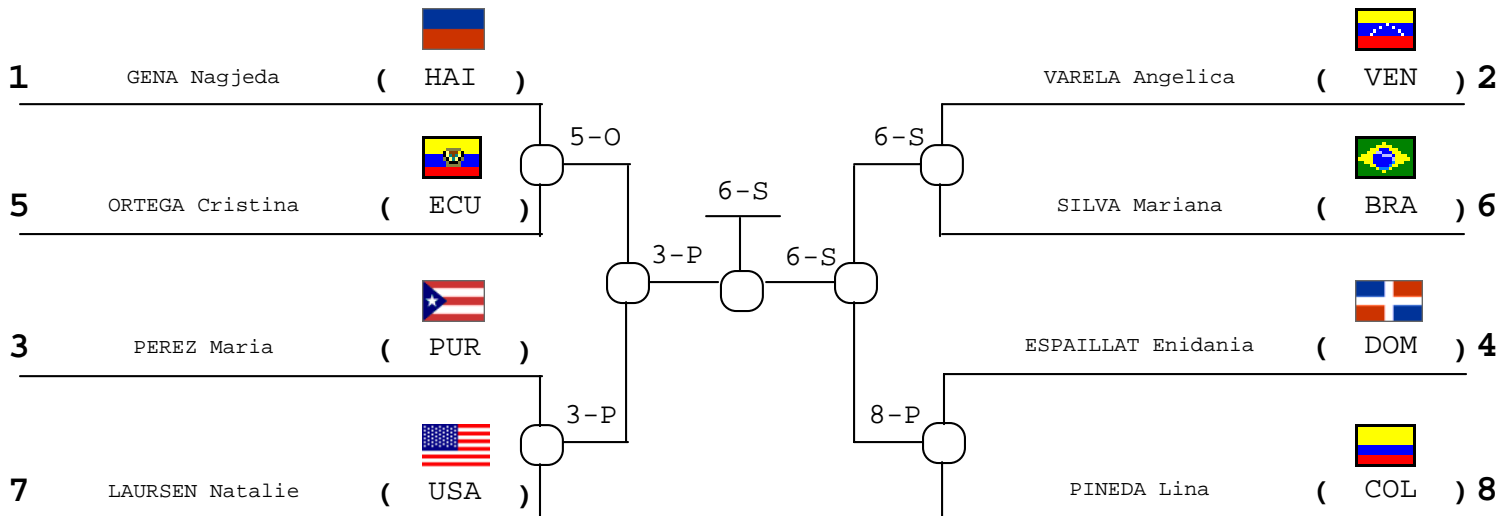


8	Competidores Competitors	Repechage	Doble Cruzado Double Crossed	AREA MAT	
# Competitors:	8	Estimated Time (min):	44	# Combats:	11

Junior
63 kg
Femenino

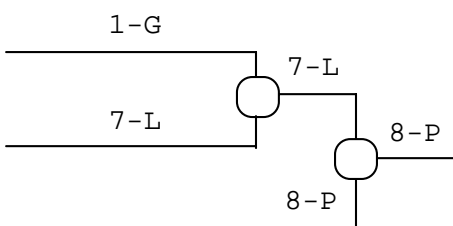
"A"

"B"



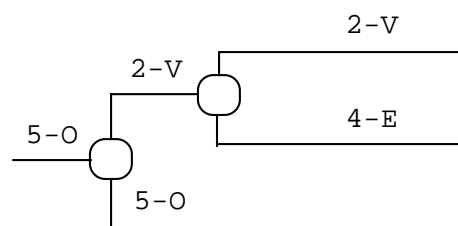
Repechage "A"

Repechage "B"



Resultados Finales

- 1° SILVA Mariana (BRA)
- 2° PEREZ Maria (PUR)
- 3° PINEDA Lina (COL)
- 3° ORTEGA Cristina (ECU)
- 5° LAURSEN Natalie (USA)
- 5° VARELA Angelica (VEN)
- 7° ()
- 7° ()



Legend

DWI: Not Weight
DNA: Not Show
HKD: Direct Hansck.